

DO NOT
SCALE FROM
THIS PRINT

FIGURE 1
PERPENDICULAR MATED
CONFIGURATION

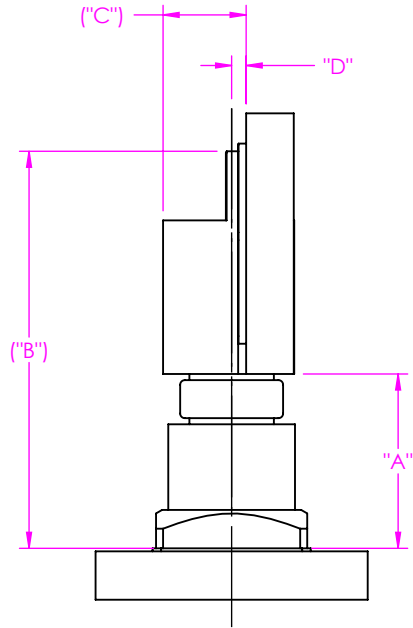


FIGURE 2
MEZZANINE MATED
CONFIGURATION

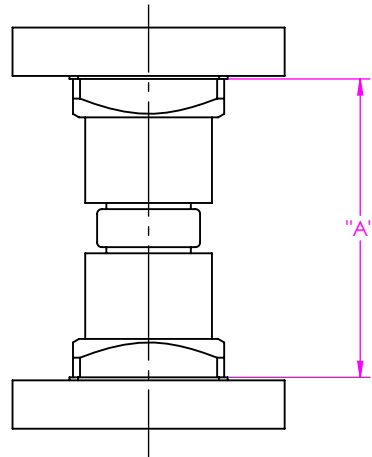


FIGURE 3
COPLANAR MATED
CONFIGURATION

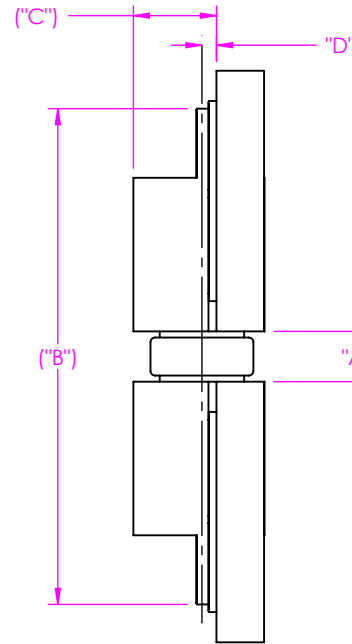


FIGURE 4
MEZZANINE MATED
CONFIGURATION
SMP-TH MATED WITH SMP-SM

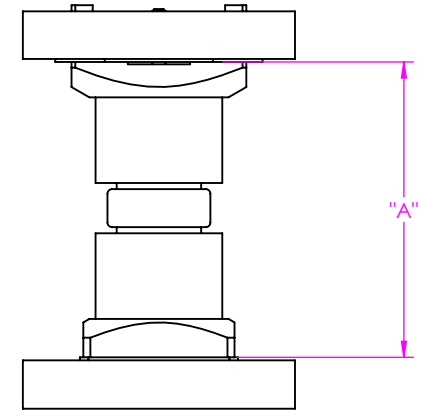


TABLE 1

		SMP-PX-P-XX-ST-THX SMP-PX-P-XX-ST-STX SMP-PX-P-XX-ST-SM		SMP-PX-P-XX-ST-EM				"C"	"D"				
		"A" FULLY MATED	"B" FULLY MATED	"A" FULLY MATED	"B" FULLY MATED	"C"	"D"						
SMP-PX-P-XX-ST-EM	SMP-J-B-XX-ST-0625	0.1875	[4.76]	0.4775	[12.03]	0.026	[6.60]	0.606	[15.39]	0.0978	[2.48]	0.0085	[0.22]
	SMP-J-B-XX-ST-0645	0.1955	[4.96]	0.4835	[12.18]	0.034	[8.64]	0.612	[15.54]				
	SMP-J-B-XX-ST-0725	0.2270	[5.76]	0.5170	[13.03]	0.066	[16.64]	0.646	[16.40]				
	SMP-J-B-XX-ST-0825	0.2663	[6.76]	0.5563	[14.02]	0.105	[26.62]	0.685	[17.39]				
	SMP-J-B-XX-ST-0925	0.3057	[7.76]	0.5957	[15.01]	0.144	[36.63]	0.724	[18.39]				
	SMP-J-B-XX-ST-1325	0.4632	[11.77]	0.7532	[18.98]	[0.30]	[76.63]	[0.88]	[22.40]				
	SMP-J-B-XX-ST-1450	0.5124	[13.01]	0.8024	[20.22]	[0.35]	[89.13]	[0.93]	[23.59]				
SMP-PX-P-XX-ST-THX SMP-PX-P-XX-ST-STX SMP-PX-P-XX-ST-SM	SMP-J-B-XX-ST-0625	0.349	[8.86]										
	SMP-J-B-XX-ST-0645	0.357	[9.06]										
	SMP-J-B-XX-ST-0725	0.389	[9.87]										
	SMP-J-B-XX-ST-0825	0.428	[10.87]										
	SMP-J-B-XX-ST-0925	0.467	[11.87]										
	SMP-J-B-XX-ST-1325	0.625	[15.87]										
	SMP-J-B-XX-ST-1450	0.674	[17.12]										

NOTES:

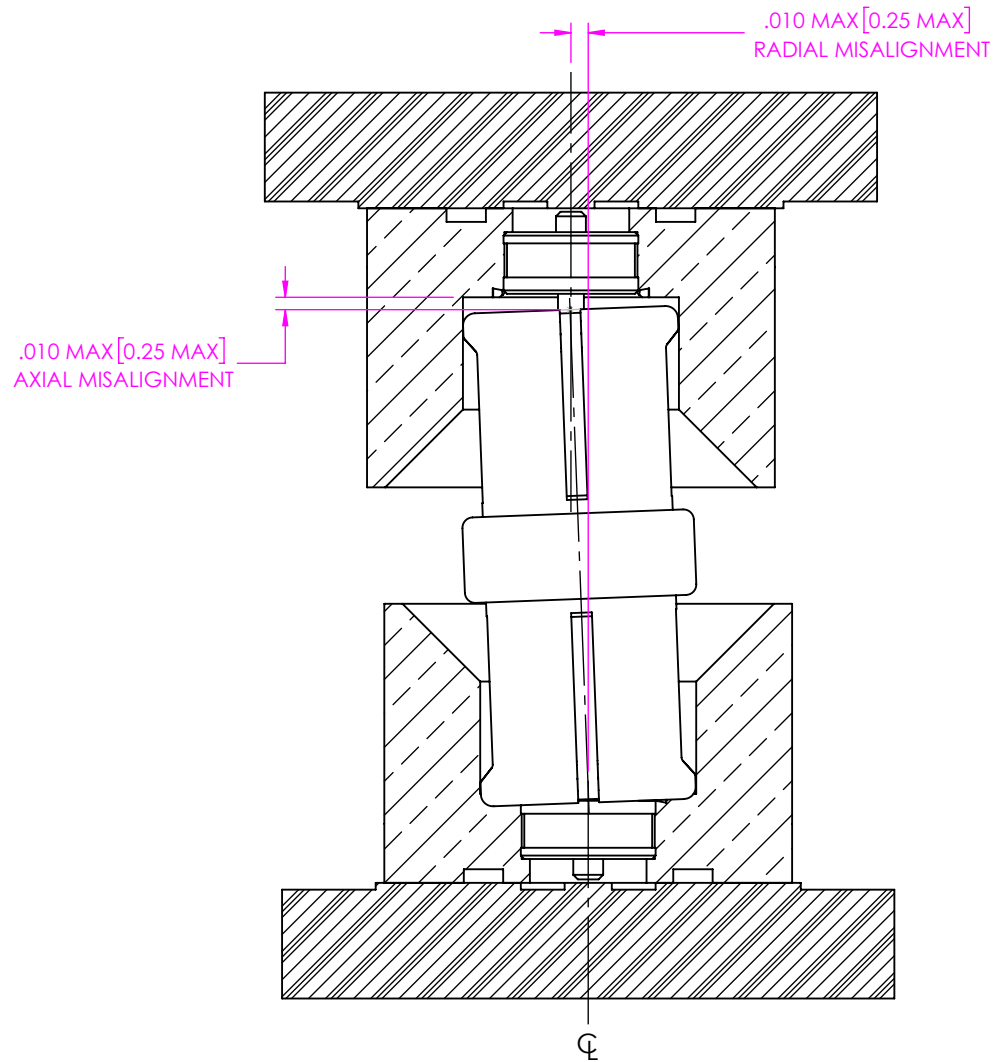
1. ALL DIMENSIONS BASED ON NOMINAL VALUES FOR SAMTEC RECOMMENDED PCB LAYOUTS.
2. DIMENSIONS SHOWN DO NOT INCLUDE SOLDER THICKNESS, TOLERANCE STACKS.

PROPRIETARY NOTE
THIS DOCUMENT CONTAINS CONFIDENTIAL AND PROPRIETARY INFORMATION AND ALL DESIGN, MANUFACTURING, REPRODUCTION, USE, PATENT RIGHTS AND SALES RIGHTS ARE EXPRESSLY RESERVED BY SAMTEC, INC. THIS DOCUMENT SHALL NOT BE DISCLOSED, IN WHOLE OR PART, TO ANY UNAUTHORIZED PERSON OR ENTITY NOR REPRODUCED, TRANSFERRED OR INCORPORATED IN ANY OTHER PROJECT IN ANY MANNER WITHOUT THE EXPRESS WRITTEN CONSENT OF SAMTEC, INC.



520 PARK EAST BLVD., NEW ALBANY, IN 47150
PHONE: 812-944-6733 FAX: 812-948-5047
e-Mail info@SAMTEC.com code 55322

FIGURE 5
 SMP MAX RADIAL/AXIAL MISALIGNMENT
 FULL DETENT TO CATCHER'S MITT SHOWN



• PROPRIETARY NOTE •
 THIS DOCUMENT CONTAINS CONFIDENTIAL AND PROPRIETARY INFORMATION AND ALL DESIGN, MANUFACTURING, REPRODUCTION, USE, PATENT RIGHTS AND SALES RIGHTS ARE EXPRESSLY RESERVED BY SAMTEC, INC. THIS DOCUMENT SHALL NOT BE DISCLOSED, IN WHOLE OR PART, TO ANY UNAUTHORIZED PERSON OR ENTITY NOR REPRODUCED, TRANSFERRED OR INCORPORATED IN ANY OTHER PROJECT IN ANY MANNER WITHOUT THE EXPRESS WRITTEN CONSENT OF SAMTEC, INC.



520 PARK EAST BLVD, NEW ALBANY, IN 47150
 PHONE: 812-944-6733 FAX: 812-948-5047
 e-Mail info@SAMTEC.com code 55322